
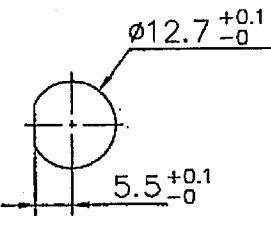
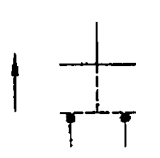
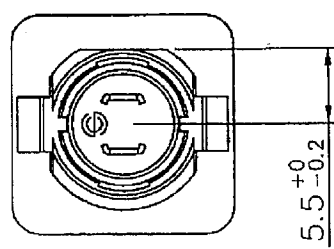
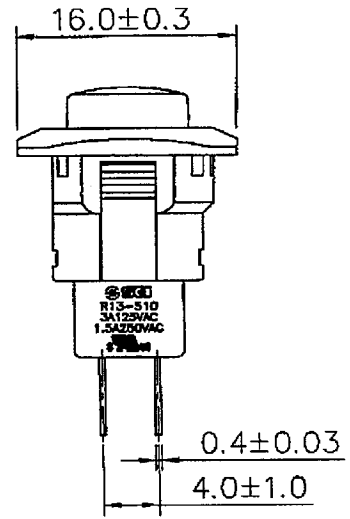
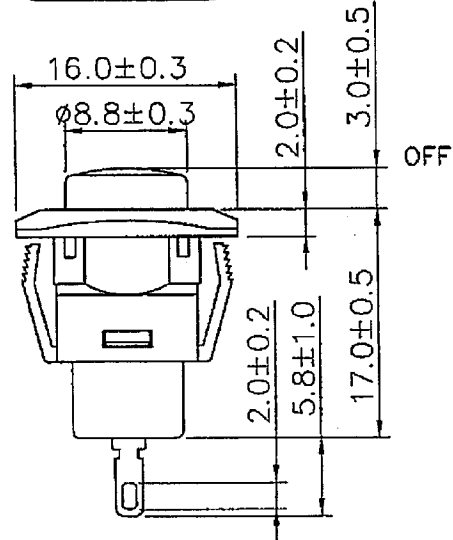
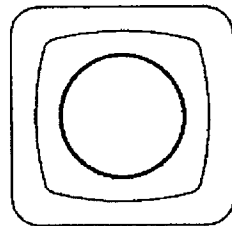
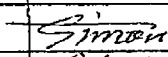
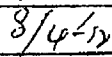


Rating	3A 125V AC 1.5A 250V AC 	Mounting Hole 	Circuit Diagram 
Contact Resistance	50m ohm Max		
Insulation Resistance	DC 500V 100 ohm Min		
Dielectric Strength	AC 1000V 1minute		
Switch Function	2P SPST OFF-(ON)		



d:\projects\R13-510改善案

2010/10/13	徐洲迎	本體與底座改卡扣式新結構設計				△
Date	Name	Description				No.
Drawn	Checked	Approved	SCI BOM No.	Model Name	PUSH SWITCH	
徐洲迎			Customer No.	Model No.	R13-510A-05	REV
8/3/12			Unit	mm	Shin Chin Industrial Co., Ltd.	
						1