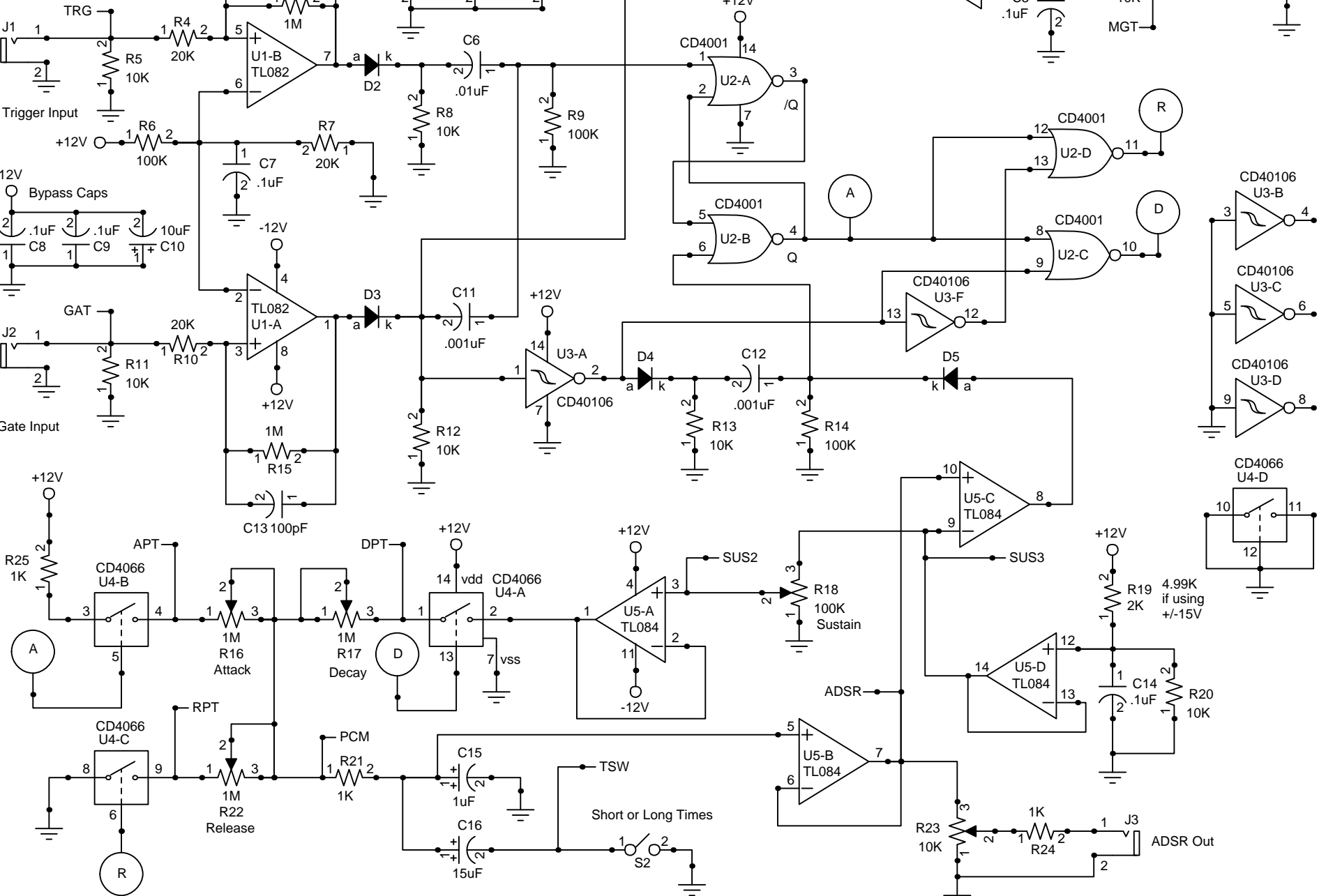


ADSR Envelope Generator

by Ray Wilson



All diodes 1N914 or 1N4148

Bypass Caps

Manual Gate

Trigger Input

Gate Input

APT

DPT

RPT

PCM

Short or Long Times

ADSR

4.99K if using +/-15V

ADSR Out