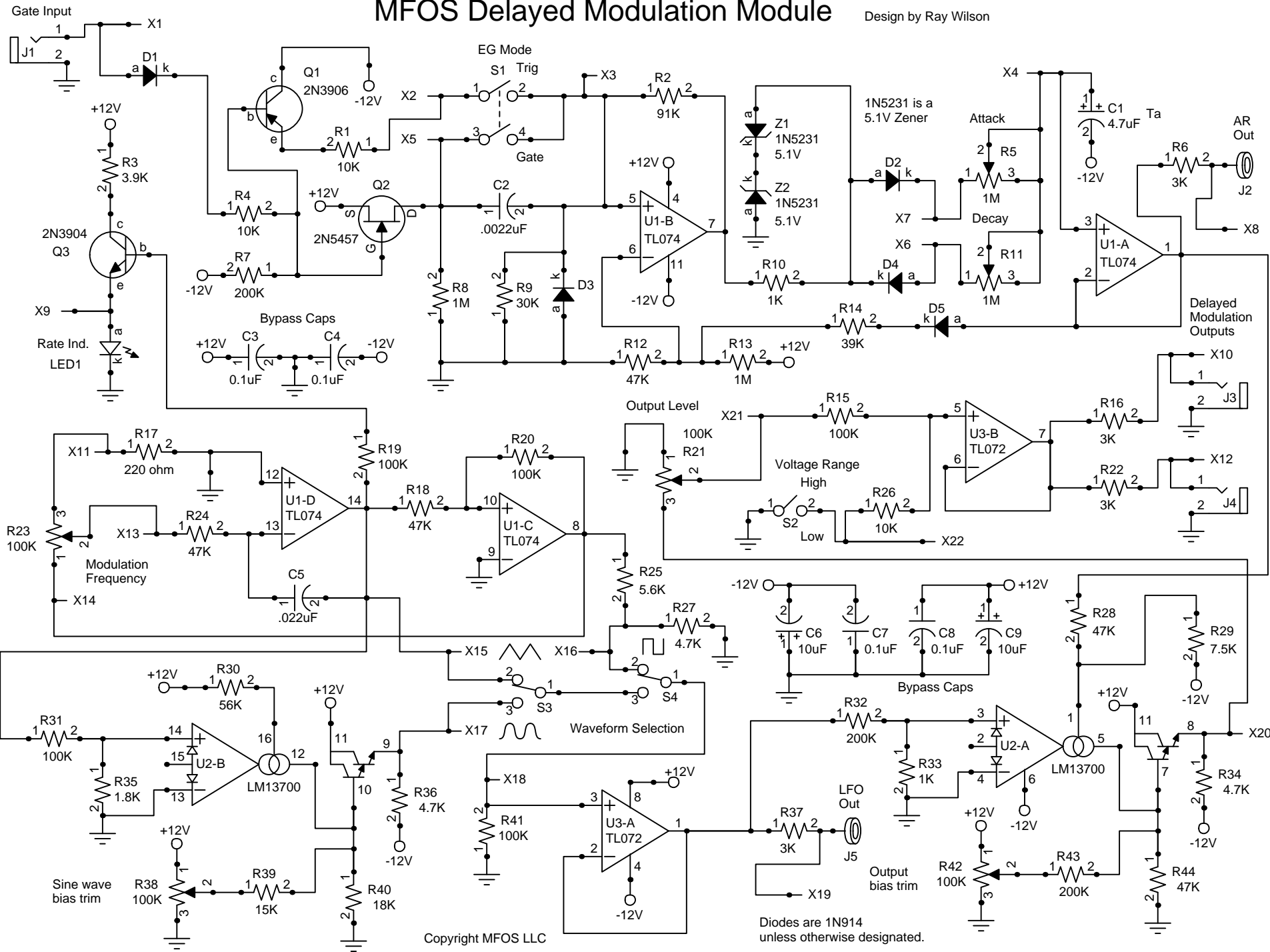


MFOS Delayed Modulation Module

Design by Ray Wilson



Copyright MFOS LLC

Diodes are 1N914 unless otherwise designated.